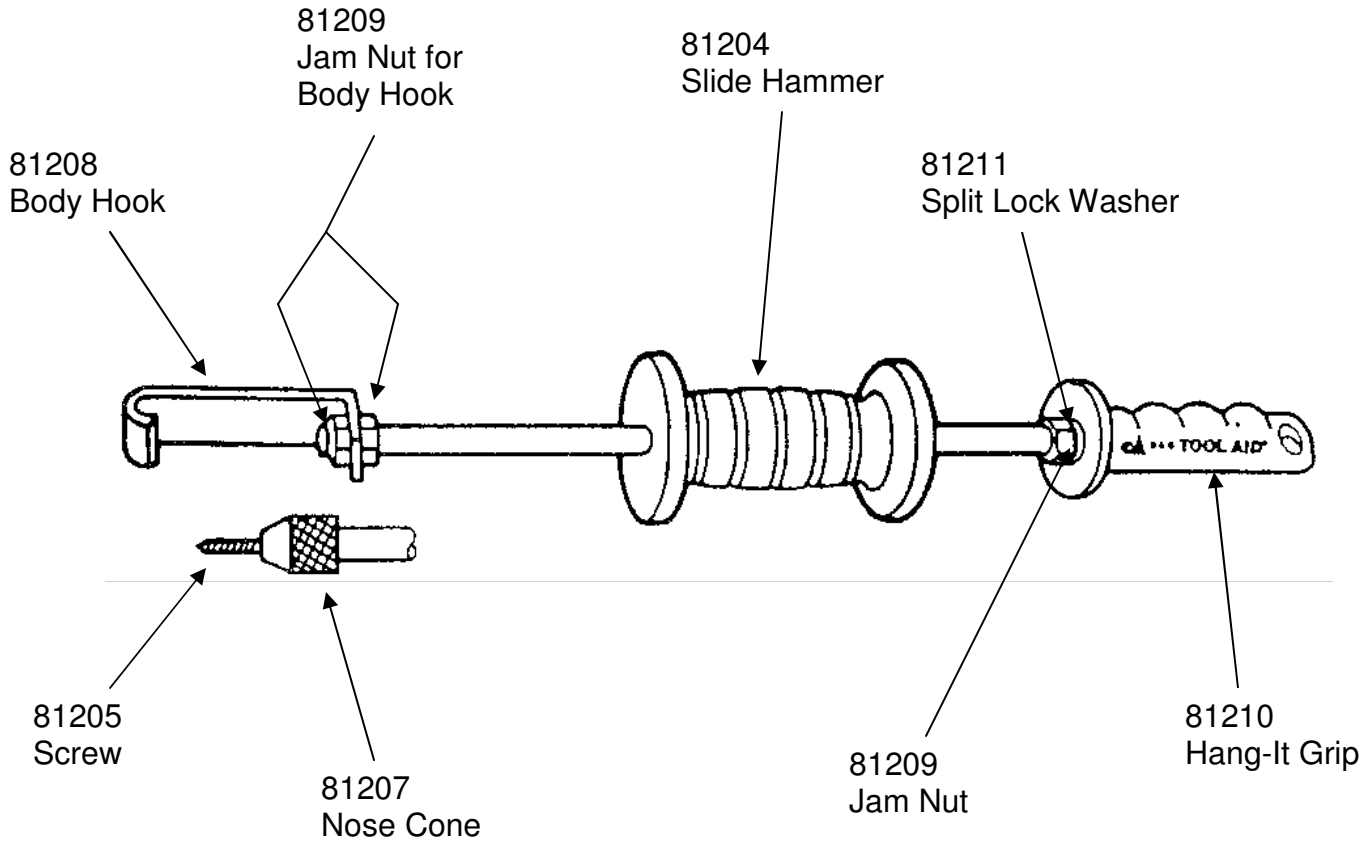


81200, MIDI-WEIGHT 5LB. SLIDE HAMMER & DENT PULLER



81214, Accessory Kit = 1 - #81205 + 1-#81207 + 1 - #81208 + 2 - #81209

81216 = Handle and Shaft Sub Assembly