

# "LI'L BLASTER" PORTABLE HAND HELD SAND BLASTER INSTRUCTIONS

**APPLICATIONS:** Li'l Blaster is designed to spray sand and other abrasives, using air pressure to clean rust, scale, paint, etc. from metal, stone or other surfaces. It can also be used for etching glass, marble, etc.

**SPECIFICATIONS:** Air Pressure: 70 PSI Min. - 150 PSI Max. Pressure less than minimum will result in poor cutting action. Minimum 1 horsepower compressor required.

Compressor Supply Volume: 11 CPM at 70 PSI for continuous spraying.

4 CPM at 70 PSI for intermittent spraying.

Recommended Abrasive: 54-36 Grit Sand or Carborundum Blastite Aluminum Oxide Grain. For a fine finish use up to 80 Grit Garnet. Abrasive must be dry to prevent clogging. Air supply should be free of moisture.

Air Line connection: 1/4" female pipe thread in pistol grip shut off valve.

## ASSEMBLY INSTRUCTIONS:

Install siphon tube, Part No. 17712 into brass tube under bottle cap.

## OPERATING INSTRUCTIONS:

Connect air line hose from air compressor to pistol grip shut-off valve.

Remove and fill bottle with 54-36 grit abrasive and reinstall bottle. Abrasive must be dry to prevent clogging.

Place metering stem lever, Part No. 17710 in vertical position for sand blasting (Fig. I).

To convert sand blast gun to an air nozzle, place metering stem lever, No. 17710 in horizontal position (Fig. II). This will shut off abrasive.

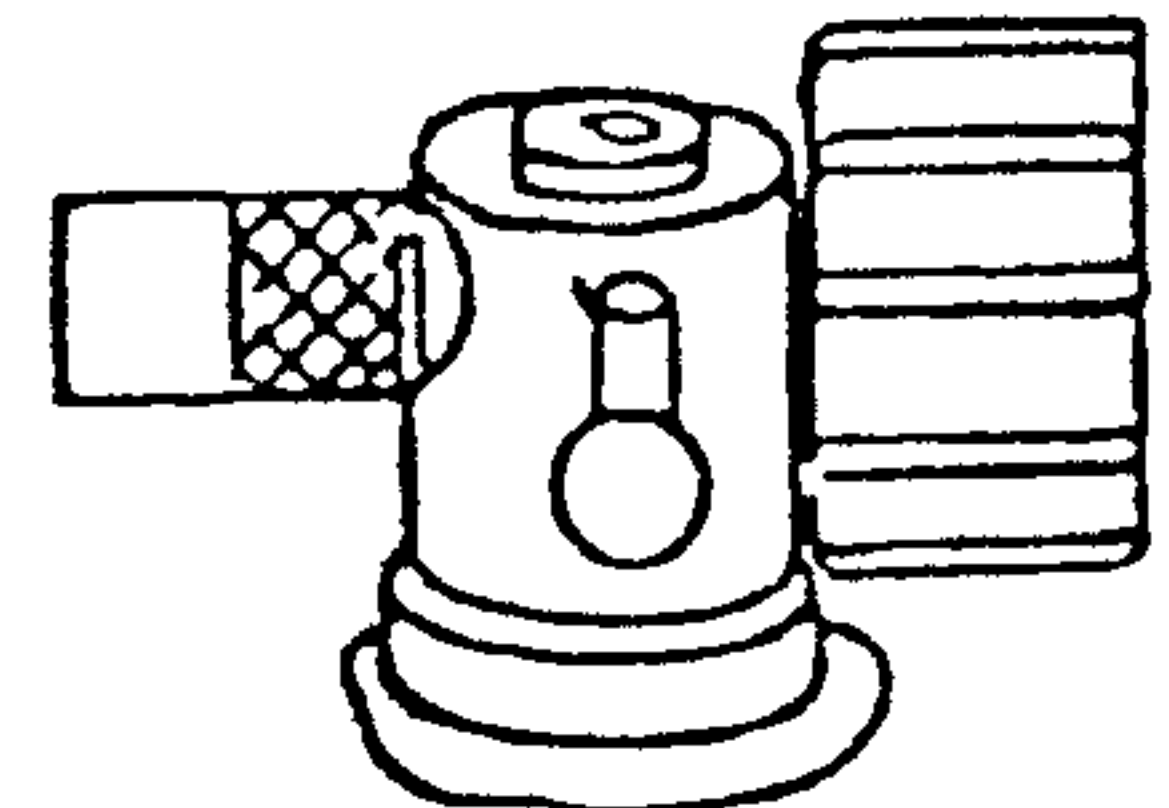


FIG. I

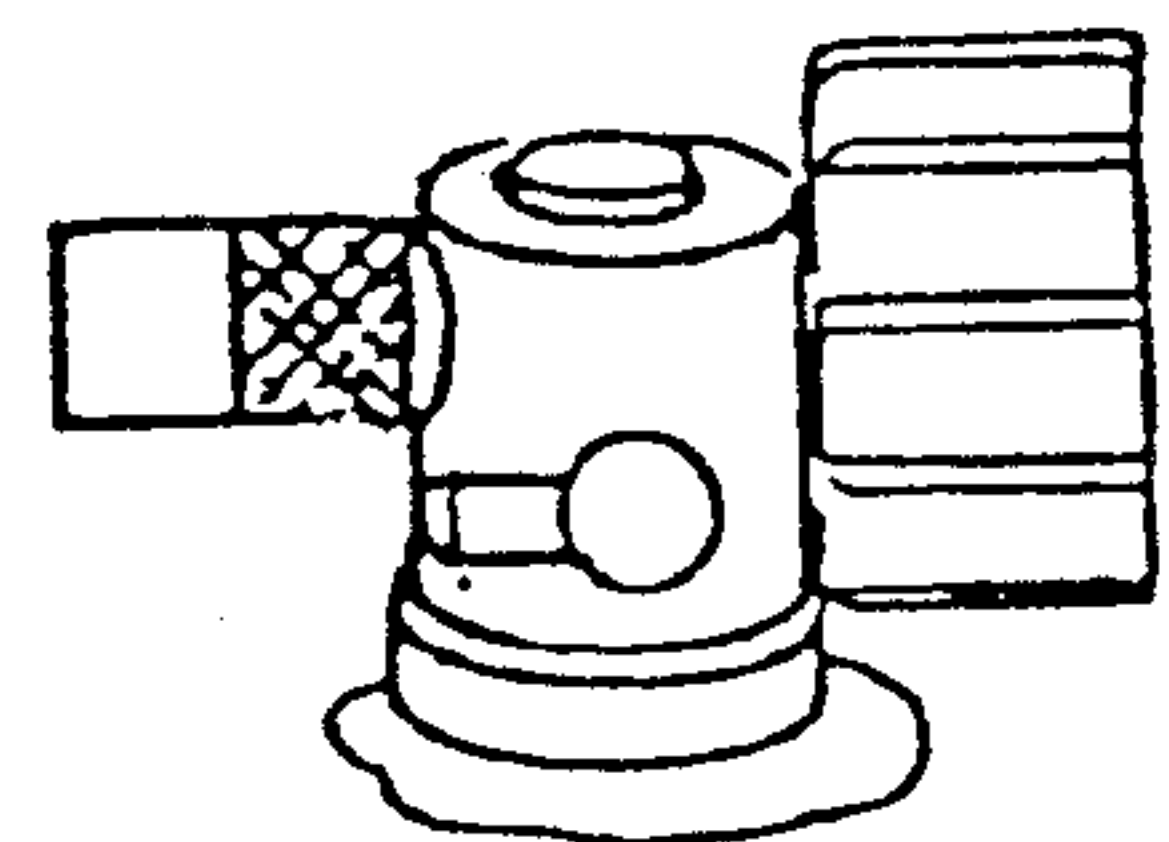


FIG. II

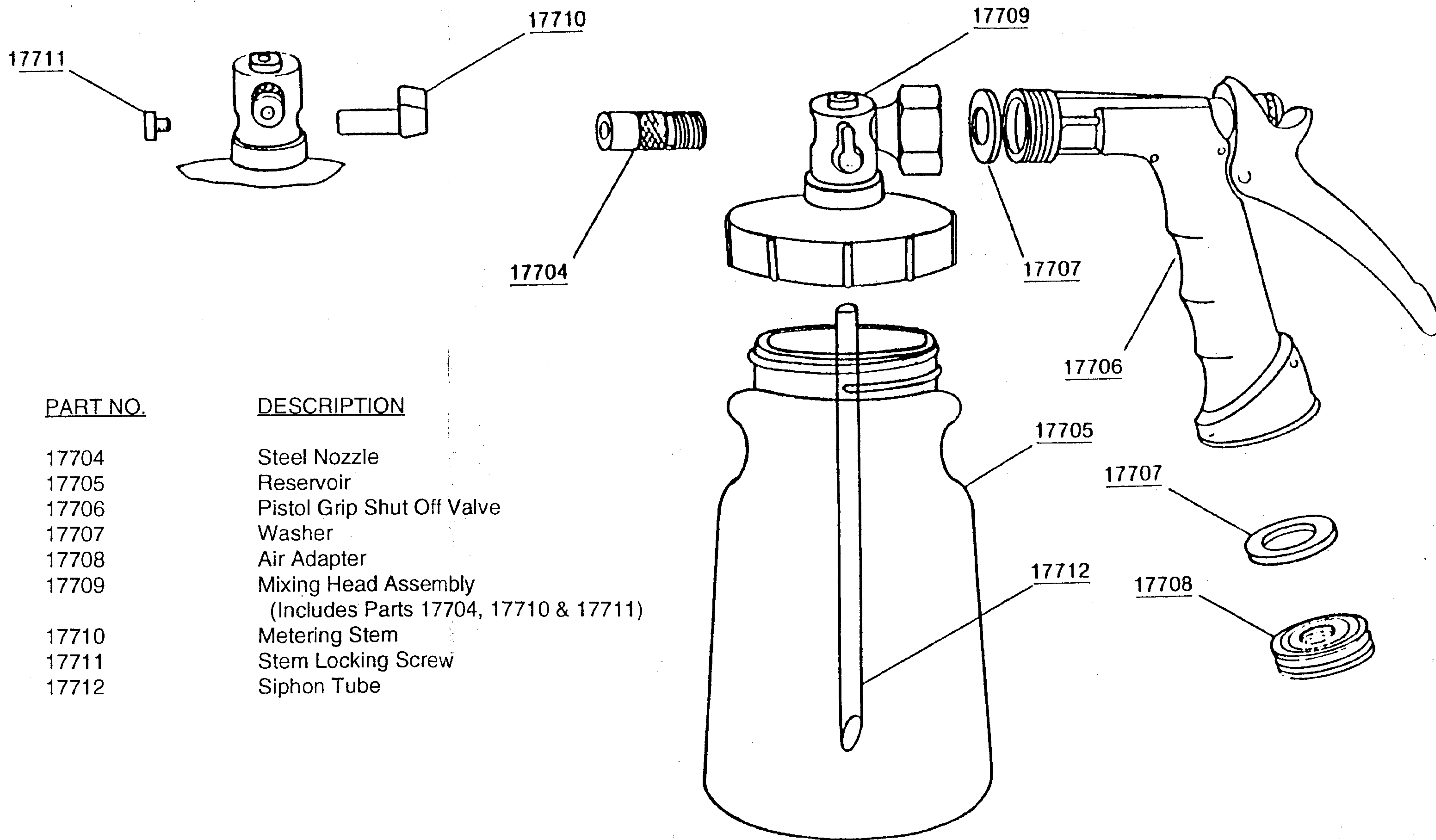
## MAINTENANCE:

The hardened steel spray nozzle should be replaced when discharge hole is approximately 1/4" diameter. To replace, unscrew worn out nozzle and install new nozzle hand tight. Replacement nozzles may be purchased from your local supplier or factory under Part No. 17704.

## SAFETY PRECAUTIONS:

Safety goggles, face shield and protective clothing (raincoat with hood) must be worn to protect eyes, face and body from flying abrasive, paint, scale, etc. Never sand blast any part of the body. It could cause serious abrasions. Always use a respirator for long-term spraying.

PARTS LIST & EXPLODED DIAGRAM  
PORTABLE HAND HELD SAND BLASTER



PART NO.

DESCRIPTION

17704	Steel Nozzle
17705	Reservoir
17706	Pistol Grip Shut Off Valve
17707	Washer
17708	Air Adapter
17709	Mixing Head Assembly (Includes Parts 17704, 17710 & 17711)
17710	Metering Stem
17711	Stem Locking Screw
17712	Siphon Tube