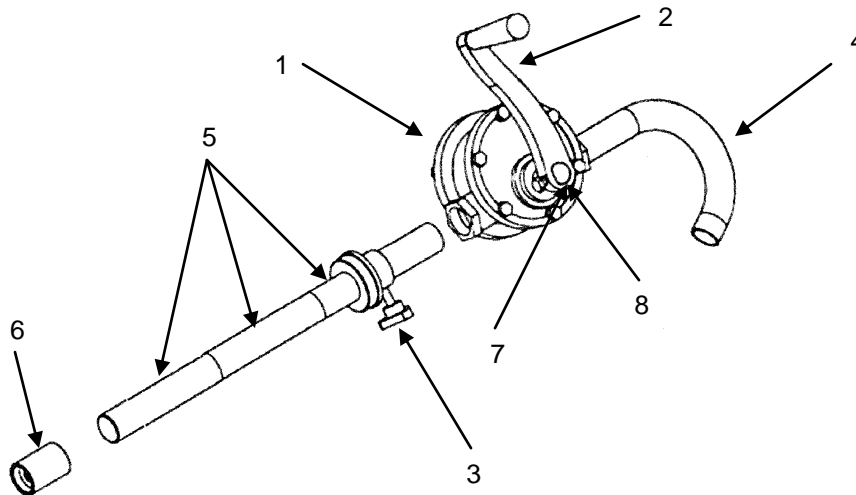


# #17580, ROTARY BARREL PUMP

## PARTS BREAKDOWN



Ref. #	Part #	Description	Quantity
1	17582	Pump Body	1
2	17583	"S" Shaped Crank Handle Assembly	1
3	17584	Bung Adapter	1
4	17585	Curved Discharge Tube	1
5	17586	Suction Tube (1 Section)	3
6	17587	Filter	1
7	17588	Washer (for Crank Handle Assembly)	1
8	17589	Screw (for Crank Handle Assembly)	1