

- 6 NOSEPIECE
- 7 SLEEVE
- 2 JAWS
- 1 JAW CASE
- 3 JAW PUSHER
- 4 PUSHER SPRING
- 8 ADJUSTABLE NUT

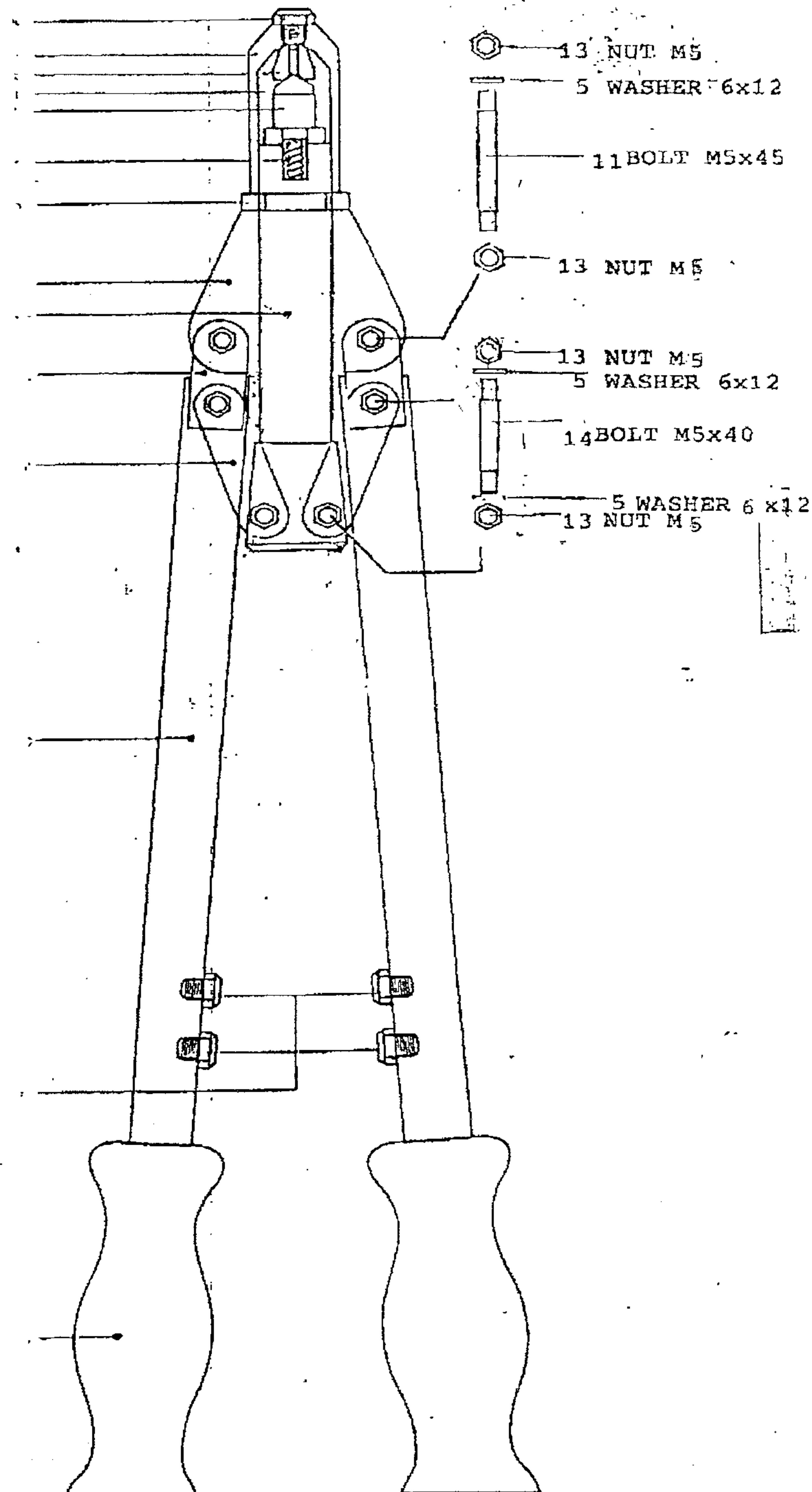
- 9 BODY
- 10 CONNECT POLE
- 15 CONNECTER

12 ARM

16 HANDLE

6 NOSEPIECE

17 GRIPS



TOOL AID
PROFESSIONAL AUTOMOTIVE TOOLS

Parts for #19250

Description	Part #
1 Jaw Case	19259A
2 Jaws	19259
3 Jaw Pusher	19259B
4 Pusher Spring	19259C
5 Washer	19259D
6A 1/8" Nosepiece (3.2mm)	19254
6B 5/32" Nosepiece (4.0mm)	19255
6C 3/16" Nosepiece (4.8mm)	19256
6D 7/32" Nosepiece (6.0mm)	19257
6E 1/4" Nosepiece (6.4mm)	19258
7 Sleeve	19259E
8 Adjustable Nut	19259F
9 Body	19259G
10 Contact Pole	19259H
11 Bolt (M5 x 45)	19259I
12 Arm	19259J
13 Nut (6mm)	19259K
14 Bolt (M5 x 40)	19259L
15 Connector	19259M
16 Handle	19259N
17 Grip	19259O